

**MQ15-X- Power male receptacle shielded front mount**

wires PVC 4x2,5 UL/CSA 0,5m

Male straight

MQ15, 4-pole

with multi-strand wire

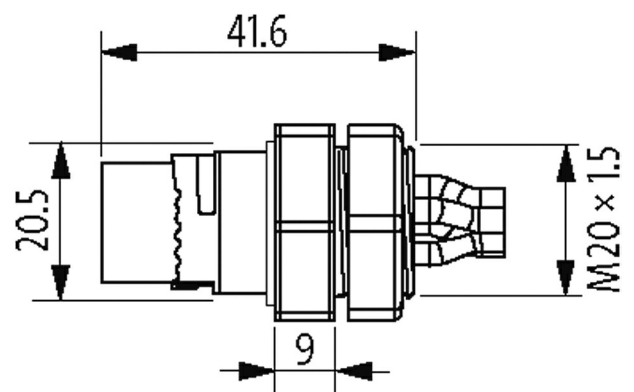
shielded housing

Front mounting

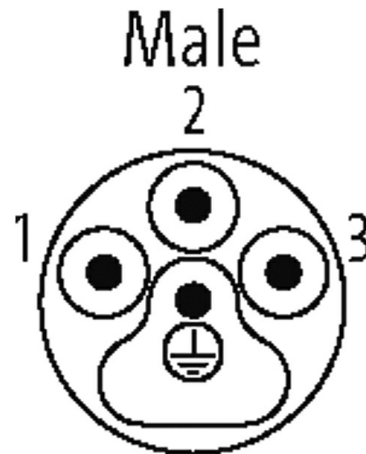
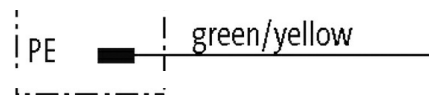
Plastic housings with good resistance against chemicals and oils.

The resistance to aggressive media should be individually tested for your application. Further details on request.

Further cable lengths on request.

[Link to Product](#)**Illustration**

1	■	black (1)
2	■	black (2)
3	■	black (3)



Product may differ from Image

**Form**

Form P8281

**General data**

Mounting method	inserted, tightened
Material (contact carrier)	PA
Material (contact)	Copper alloy
Material (contact surface)	Ag
Pollution Degree	3
Temperature range	-40...+90 °C, depending on cable quality

**Cables**

Cable number	P82
No./diameter of wires	4 × 2.5 mm <sup>2</sup>
Wire isolation	PVC (bk num, gnye)
Outer Ø	3.7 mm ±5%
Temperature range (fixed)	-40...+70 °C ( +90 °C UL-MTW, +105 °C UL-AWM , +105 °C CSA-TEW)
Cable identification	P82
Material (wire)	Cu wire, tin plated
Construction (core)	multi-strand wire class 5 (EN 60228)
Diameter (core)	4 × 2.5 mm <sup>2</sup>
AWG	similar to AWG 14
Material (wire isolation)	PVC
Wire-Ø incl. isolation	3.7 mm ±5%
Color/numbering of wires	bk numbered, gnye longitudinally striped
thermal resistance	flame retardant UL VW1, CSA FT1
Nominal voltage	600 V
Test voltage	2500 V AC

**Technical Data**

Operating voltage	max. 600 V AC
Rated surge voltage	2.5 kV
Operating current per contact	max. 16 A

Material group	IEC 60664-1, category I
No. of poles	4
Configuration	fully used
LED display	no
Locking of ports	Quick connection, 1/4 turn
Protection	IP67 inserted and tightened (EN 60529)
Material	Brass, nickel plated
Mating cycles	≥ 500

**Commercial data**

country of origin	DE
customs tariff number	85444290
EAN	4048879702126
eClass	27279220
Packaging unit	1